



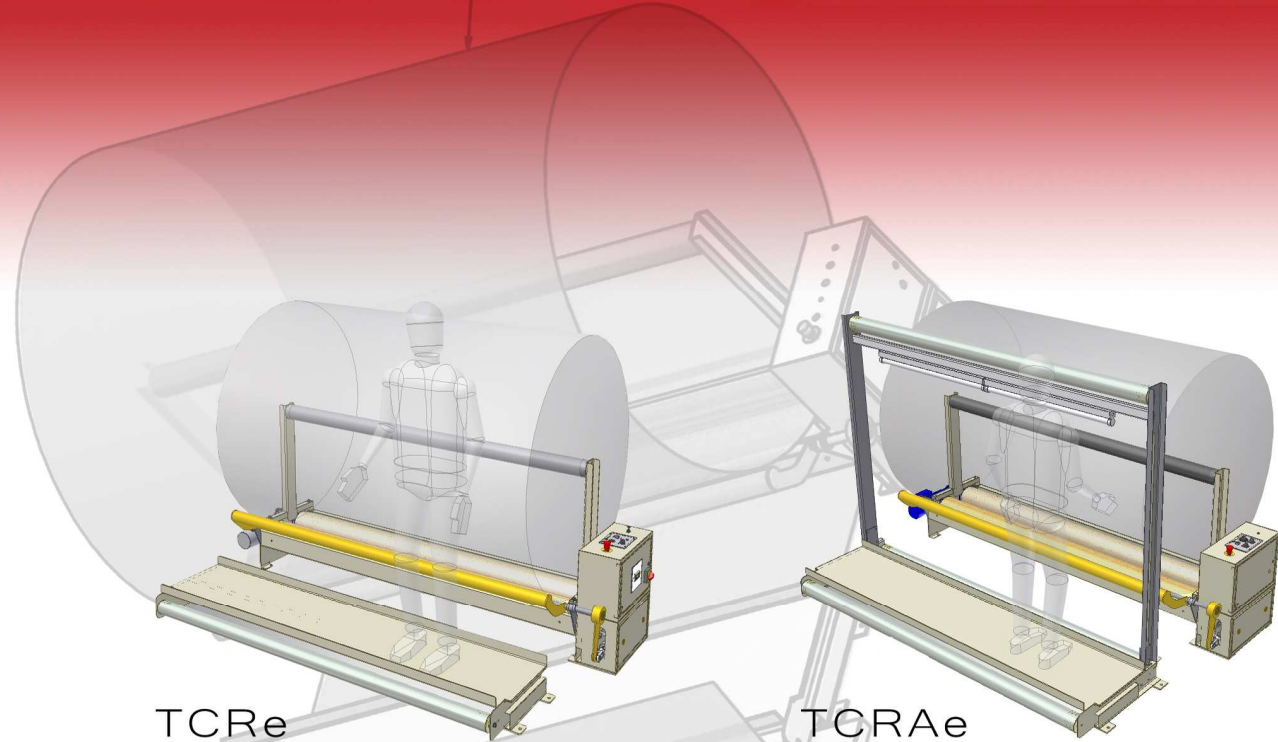
GAP

project s.r.l.

Engineering & Consulting

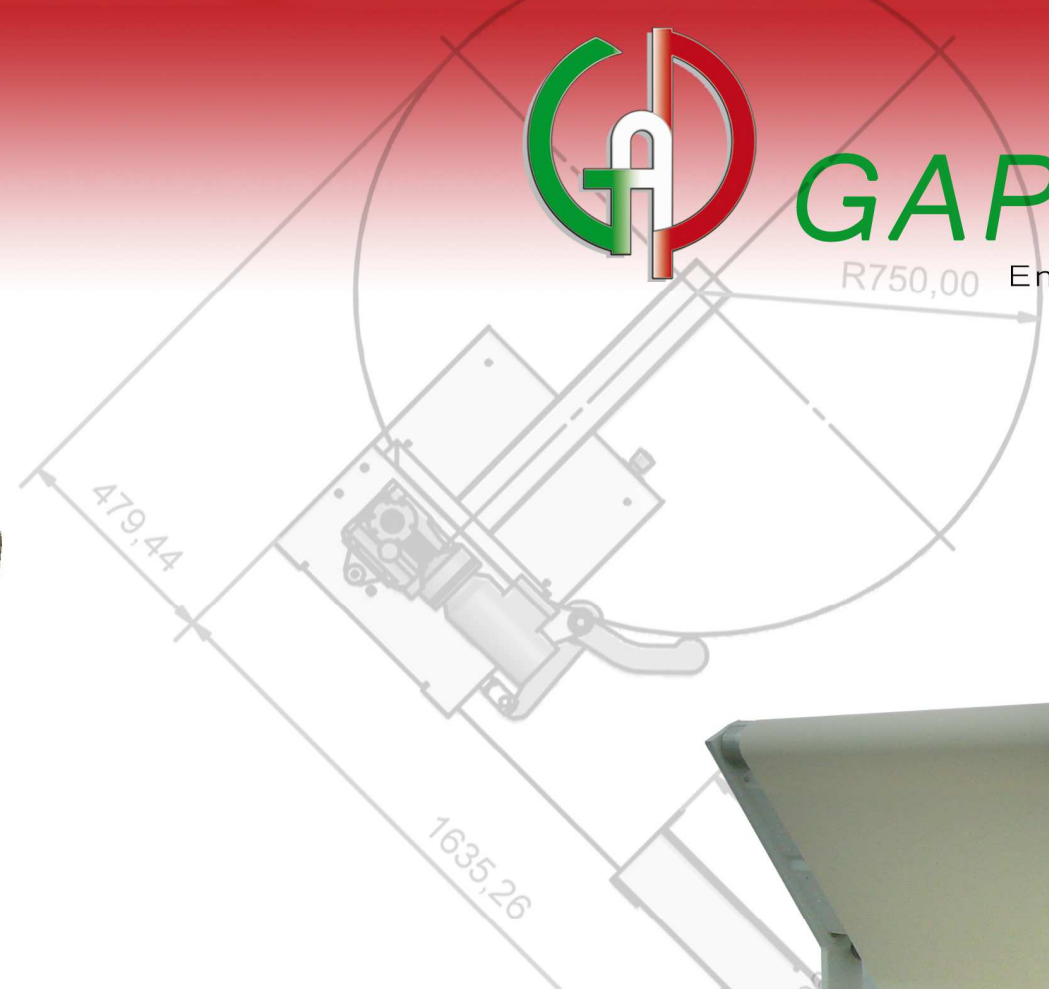
T
O
C
R

R
O
T
H



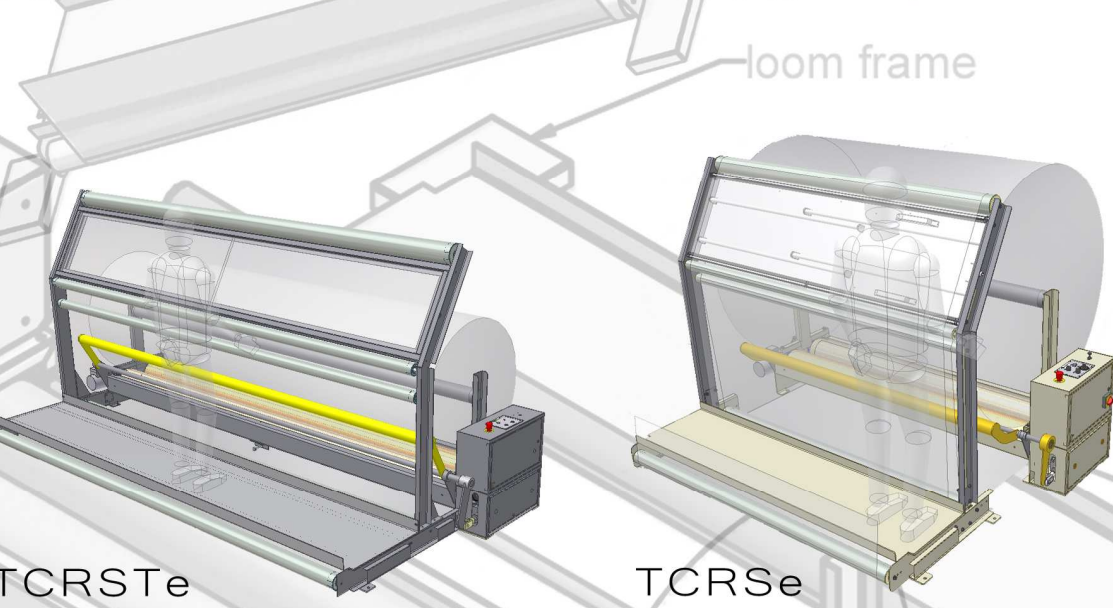
TCRe

TCRAe



479,44

1635,26

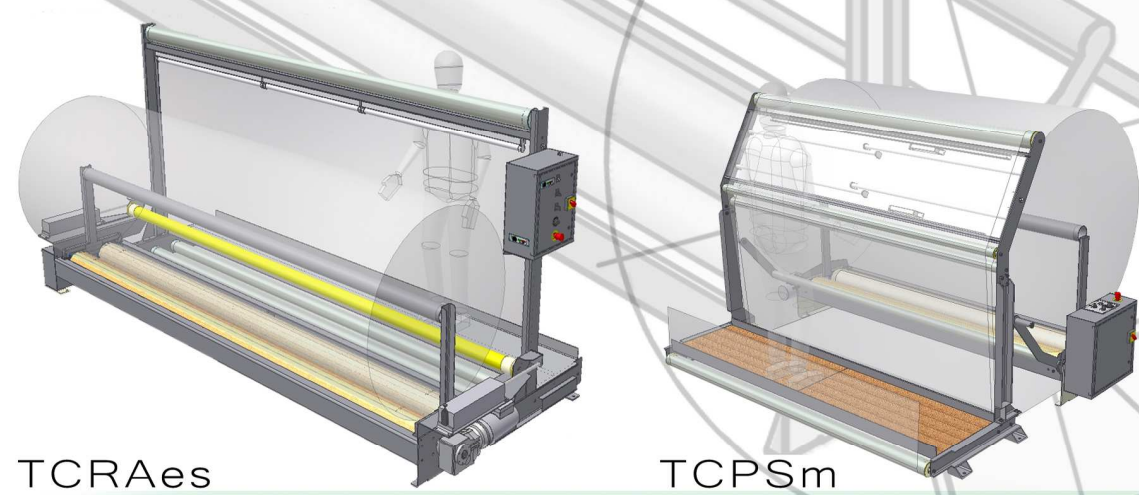


TCRSTe

TCRSe

loom frame

loom frame



TCRAes

TCPSm

torque motor



GAP *project* s.r.l.

Engineering & Consulting

Via Federico Ozanam, 11 - 24126 Bergamo - ITALY

+39 345 0814722

info@gaproject.it - www.gaproject.it

CLOTH BATCHERS

Batcher for fabric "TCR" with continuous draw for inspection and forming of big fabric rolls.

The rolling up is achieved by means of a motor with controlled speed, operating at constant torque. The torque is adjustable in relation to the different type of fabric.

Operating on a potentiometer placed on the control panel it's possible to increase or reduce the tension of the fabric, while the rolling up speed is automatically fitting itself to the speed of feeding from the loom.

To an increase of the torque corresponds a proportional increase of the power of the motor and constant speed. The motor is fixed to a horizontal speed reducer with gears of high reversibility. It can also run in the opposite direction and so roll off.

It is provided with a device for adjusting the compactness of fabric roll. By means of a mechanical operation it is possible to roll up the fabric on the "right side" as well as "reverse side". This batcher is suitable for any fabric and at any rate for all those fabrics which, when supporting tensions in the warp, do not suffer alteration in the weft.

The batchers can be fitted with:

- screen for fabric inspection;
- illuminated screen for fabric inspection by transparency or application of a table of a multilayer wood. Coated on each side with black dark plastic laminate;
- pneumatic or hand ejector for discharge of the fabric roll;
- device for lateral shifting for avoiding superposition of selvage.

